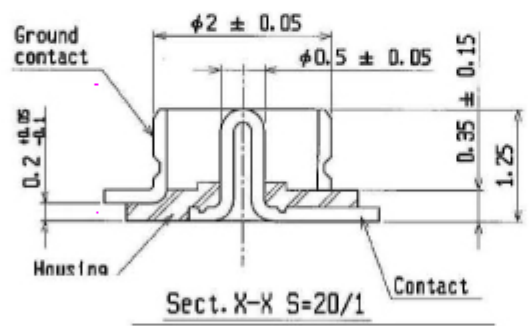


RECOMMENDED FOOTPRINT PATTERN



NO.	QTY	DESCRIPTION	MATERIAL	FINISH
3	1	GROUND CONTACT	PHOSPHOR BRONZE	GOLD PLATED 0.05um MIN.
2	1	CONTACT	BRASS	GOLD PLATED 0.1um MIN.
1	1	HOUSING	LCP	WHITE

GENERAL TOLERANCES
 DIM: .X±0.25(0.01) .XX±0.12(0.005)
 ANGULAR: ±3°

DIMENSION CLASSIFICATION
 CRITICAL MAJOR

MATERIAL : SEE TABLE
 FINISH : SEE TABLE
 DRAWN BY: YVONNE 8/08/2004
 CHK'D BY:
 APP'D BY :
 SCALE : 10 : 1
 SHEET 1 OF 1
 UNIT : mm



連科電子股份有限公司

TITLE: MHF SERIES MICRO COAXIAL
 CONNECTOR RECEPTACLE VERTICAL

DWG. NO.: 1-3094-014R000

REV A

DO NOT SCALE DRAWING

LTR	REVISION RECORD	ECN	DR/CHK	DATE
8		7		

REVISE ONLY ON CAD SYSTEM